

# TEC REU @ Pitt 2017

## Summer Research in Computational Biology

Department of Computational and Systems Biology  
University of Pittsburgh School of Medicine



### Training and Experimentation in Computational Biology

May 22 – July 28, 2017 | [www.tecbioreu.pitt.edu](http://www.tecbioreu.pitt.edu)



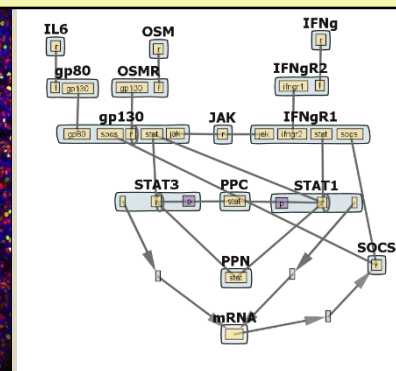
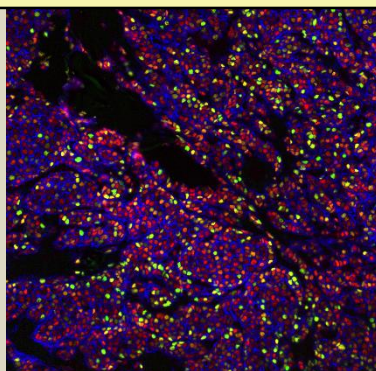
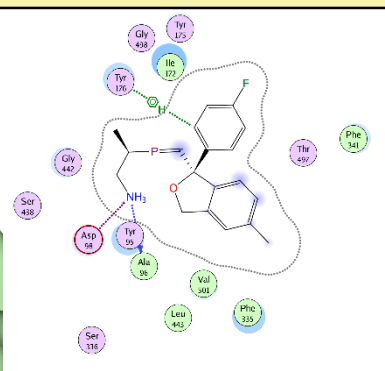
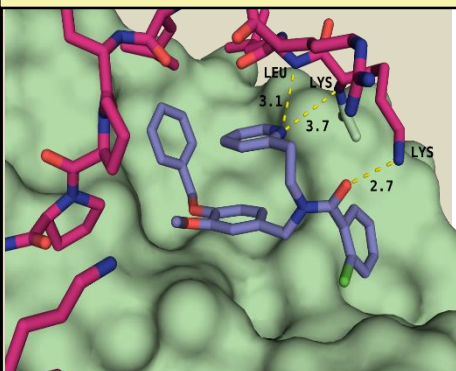
NSF  
Research  
Experiences for  
Undergraduates  
Program



### Student Scholarship includes:

\$5500 Stipend + Housing and Travel

*Application deadline: February 13, 2017*



**Who  
should  
apply?**

- students in life, physical, & computer sciences or engineering
- rising juniors/seniors who are US citizens or permanent residents
- students representing minority groups or from small colleges & universities are highly encouraged to apply.

